

# SuperK ACCESSORIES

SuperK standard and optional parts

# Standard parts for SuperK

The SuperK lasers come with a range of standard small parts and accessories. On the following pages, you can see included and additional accessories. All Plug and Play.



1.



2.



3.



4.

## SuperK ACCESSORIES

---

### 1. Door interlock connector - part number A911-100-005

Pre-wired connector for the interlock loop circuit.

### 2. BUS def eater - part number A911-100-007

Bus termination connector for the bus interface.

### 3. BUS cable - part number A911-100-006

Our proprietary BUS communication cable to connect optical accessories.

### 4. BNC cable - part number A911-100-008

Connects external equipment to the laser.

# Standard parts for SuperK

Depending on the laser configuration and accessories, these parts are included. You can also buy them separately.



5.



6.



7.

## SuperK ACCESSORIES

---

**5. Spare keys for SuperK EVO/COMPACT/FIANIUM**  
ON/OFF key switch for SuperK lasers.

**6. SuperK tool kit**  
Basic tool kit for installation and operation of the SuperK product range.

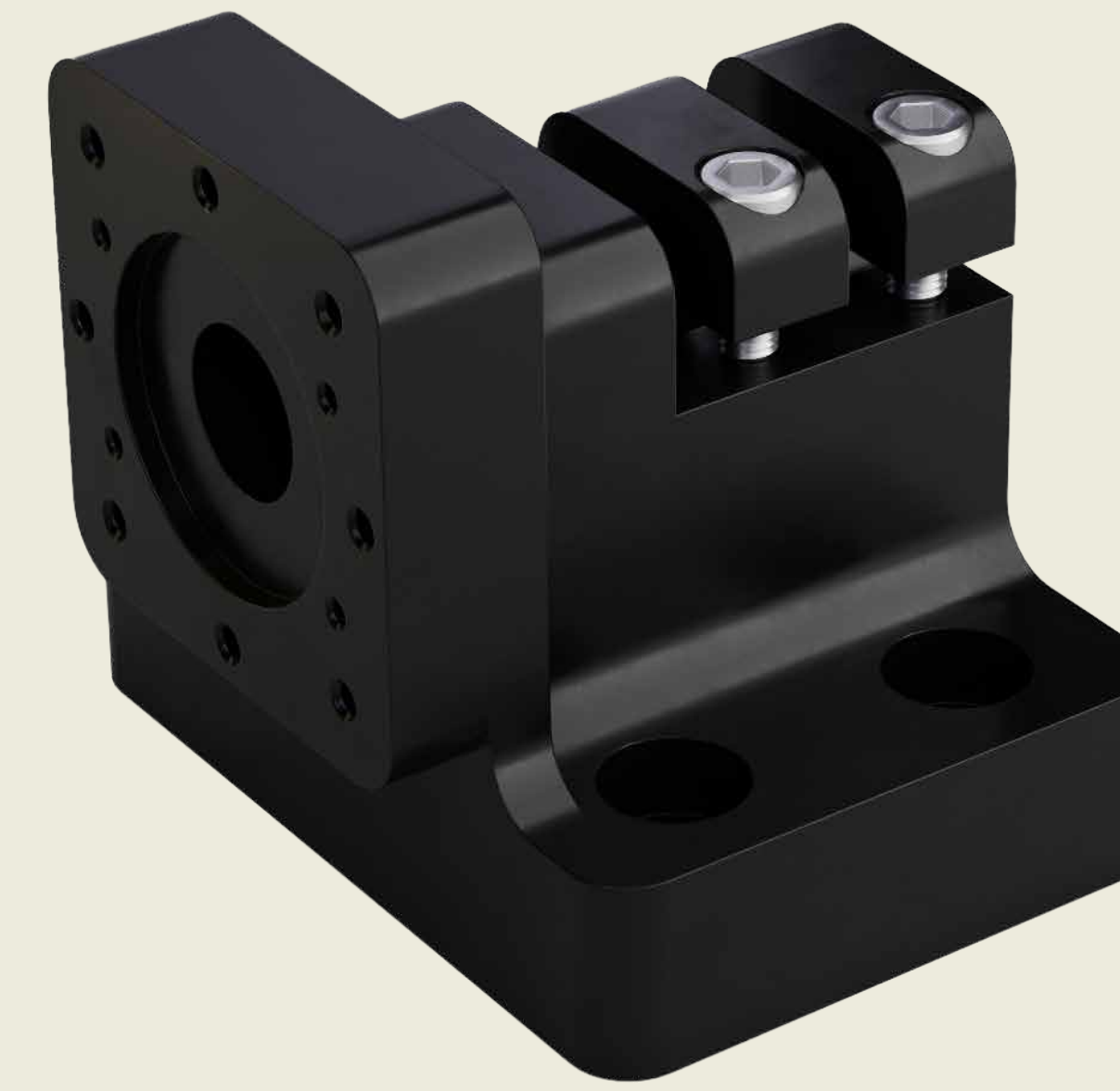
**7. USB type A to type B cable - part number A911-100-004**  
USB communication cable that connects a local PC to the laser.

# Accessories

## SuperK collimator holder - part number A000-000-002

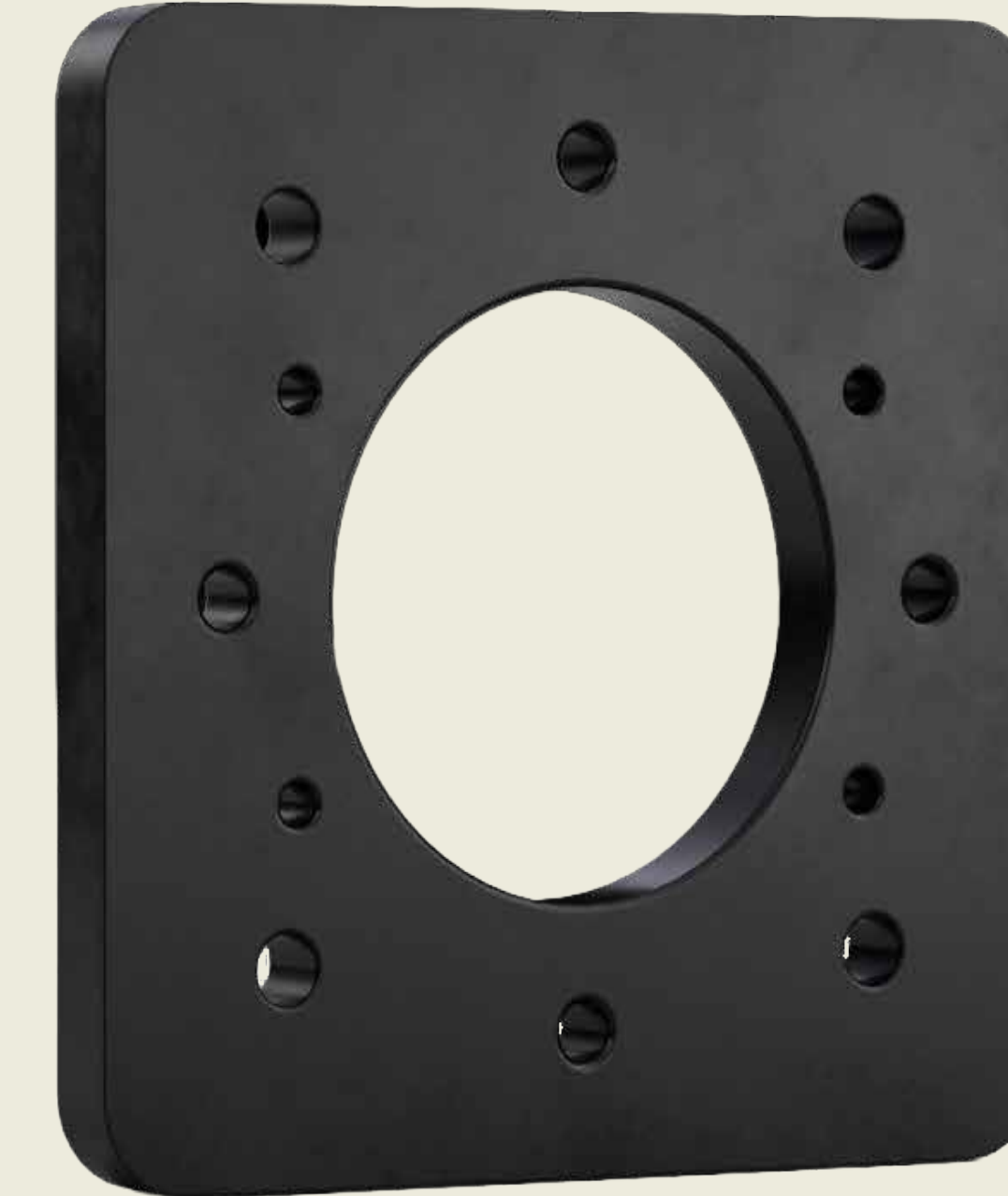
The SuperK collimator holder is designed to securely fasten the output collimator of a SuperK laser when used in free-space setups on breadboards and optical tables.

The output side has an SM05 thread for mounting of ½" filters, screw holes for cage systems, fiber coupling ports, etc.



## Adaptor plate - part number A601-300-000

Adapter plate for mounting Thorlabs fiber port and Schäfter Kirchhoff beam coupler adapter to a SuperK TRIM.



## SuperK ACCESSORIES

---

All NKT Photonics products are produced under our quality management system certified in accordance with the ISO 9001:2015 standard.



# Accessories

## Adaptor plate - part number A601-310-000

Adaptor plate for mounting a SuperK LINK on a Thorlabs cage system.



## Adaptor plate - part number A601-320-000

Adaptor plate to connect a SuperK LINK fiber coupling unit to a SuperK VARIA and LLTF filter module.



## Adaptor plate - part number A601-330-000

Adaptor plate for mounting a third-party fiber port on a SuperK LLTF or VARIA.



# SuperK ACCESSORIES

---

All NKT Photonics products are produced under our quality management system certified in accordance with the ISO 9001:2015 standard.



# SOLUTIONS FOR INNOVATORS