

WhiteLase Micro

Supercontinuum multi-purpose white-light source

- Spectrum from 400 nm to 2000 nm
- Output power 200 mW
- Turnkey operation
- 30 MHz repetition rate with ps pulses
- Optical bench mountable
- Small footprint



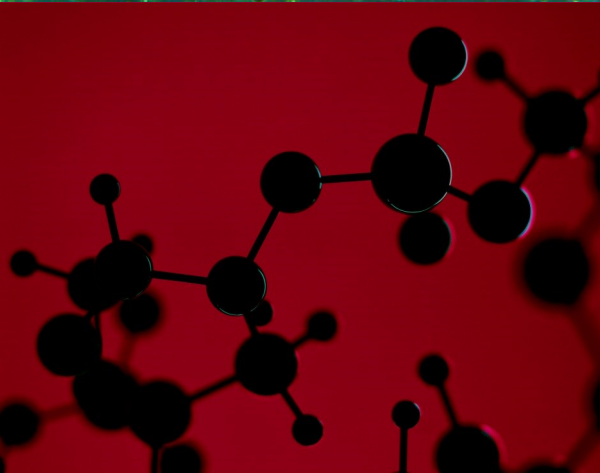
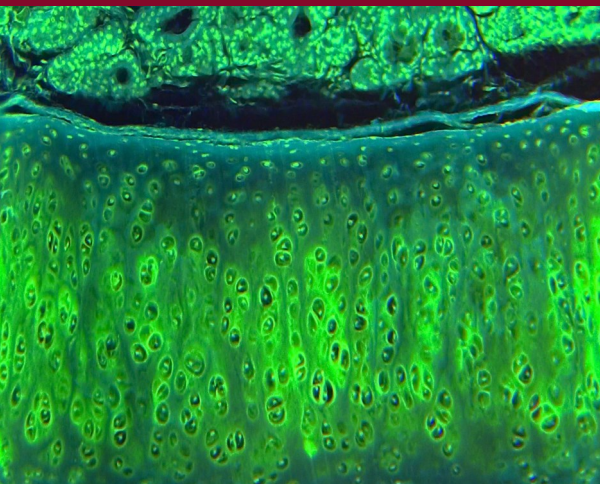
The WhiteLase Micro is a compact supercontinuum laser that provides excellent value for money. It offers power levels similar to the SuperK COMPACT at MHz repetition rates.

With a total output power of more than 200 mW, covering a broad spectral range of 400 nm to 2000 nm, the laser offers unparalleled versatility. The unit is operated by the flick of switch and can be mounted onto an optical bench or incorporated into optical tools. With a small footprint the WhiteLase Micro is also very space efficient.

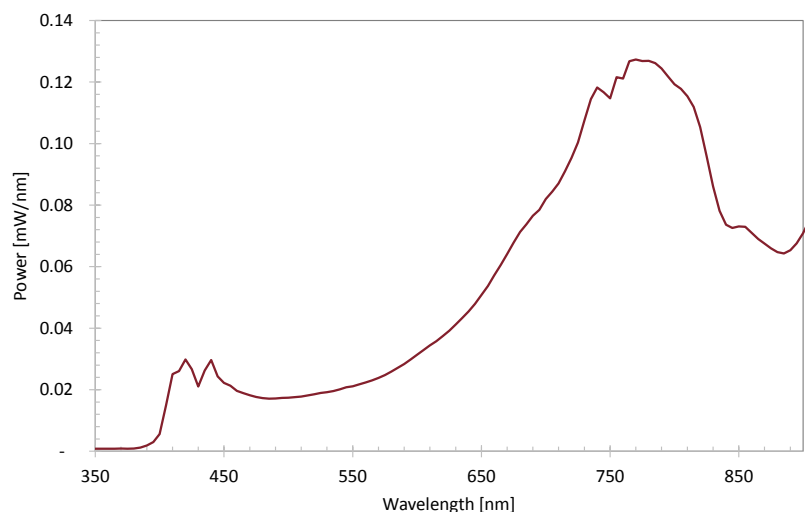
The laser can be used in conjunction with the SuperK SELECT, LLTF, and SuperK VARIA filters, giving a variety of tuning options covering the entire wavelength range.

Applications

- Broadband spectroscopy
- Optical component characterisation
- Fluorescence lifetime measurement
- General illumination



Typical VIS output spectrum



Specifications

Optical

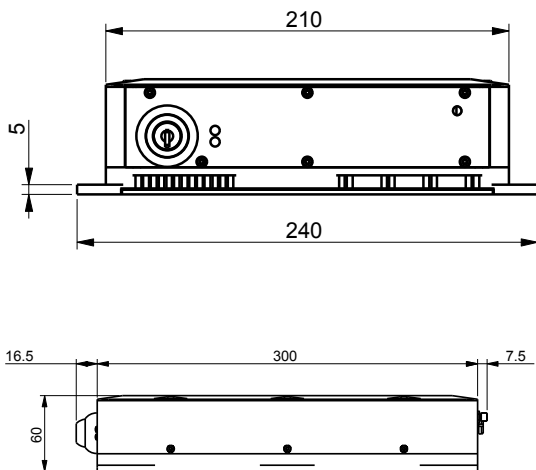
Repetition Rate	30 MHz +/- 3 MHz
Total power stability	+/- 1.0%
Wavelength range	400 - 2000 nm
Total Power	200 mW
Visible power (400-850 nm)	25 mW
Polarization	Unpolarized
Beam output	Gaussian, single mode
Typical M^2 (>430 nm)	<1.1
Output options	Collimated/other outputs upon request
Length of output fiber	1.5 m
Beam diameter	~1 mm at 630 nm ~2 mm at 1060 nm
Beam Divergence (Over 400-1000 nm)	<3 mrad
Typical single mode fiber coupling efficiency	~65%

Mechanical/Electrical

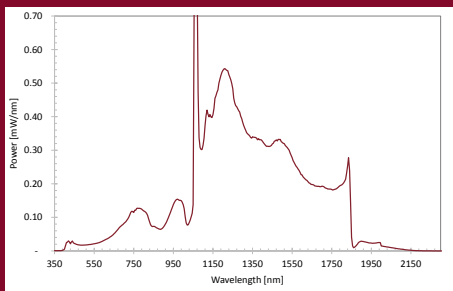
Computer Interface	USB or RS232
Power Requirements	100-240 V, 50/60 Hz
Door interlock	2-way LEMO
Sync (trigger) Output	Photodiode oscillator monitor (SMA)
System Cooling	Integrated Air Cooling
Dimensions (WxLxH mm)	210 x 300 x 60
Weight	<6 kg

Operating Conditions

Operating Temperature	+18°C to 30°C
Storage Temperature	-10°C to 60°C
Relative Humidity	< 80%



Typical output spectrum



NKT Photonics A/S (Headquarters)
 Blokken 84, 3460 Birkerød, Denmark
 Phone: +45 4348 3900
 Fax: +45 4348 3901

NKT Photonics GmbH
 Schanzenstrasse 39, Bldg D9-D13
 51063 Cologne, Germany
 Phone: +49 221 99511-0
 Fax: +49 221 99511-650

NKT Photonics Inc.
 3514 N Vancouver Avenue, Suite 310
 Portland, OR 97227 • USA
 Phone: +1 (503) 444-8404
 Fax: +1 (503) 914-1664

All Fianium-branded products are produced under the UK quality management system certified in accordance with the ISO 9001:2008 standard.

